

TUNNEL KILN TECHNOFAST / TRADIFAST

CLEIA designs and manufactures tight kiln combining **tradition** and **modernity**:
the **tunnel kiln Technofast / Tradifast**. **Technofast** walls
and vault are made of prefired refractory pieces with chemical and physical
properties perfectly controlled during the manufacturing process.



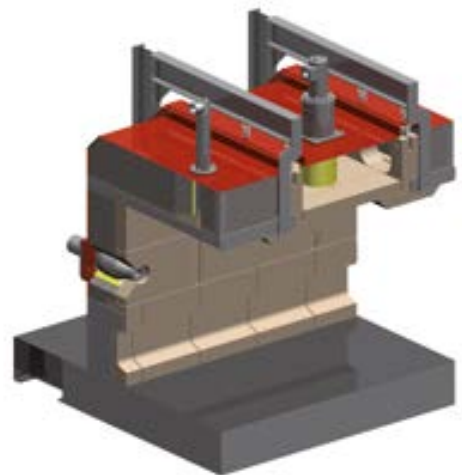
REFRACTORY LINING

The **quality of refractory pieces** is adapted to their position in the kiln.

Thanks to their **low water absorption** in the preheating zone,
the **Technofast** kiln offers a very good chemical resistance
against the polluted exhaust gases emitted in the preheating zone.

The reinforced wall design combines **good mechanical strength
with low thermal inertia**.

The **Tradifast** variant includes refractory bricks
walls in place of refractory pieces.



Engineering turn-key solutions

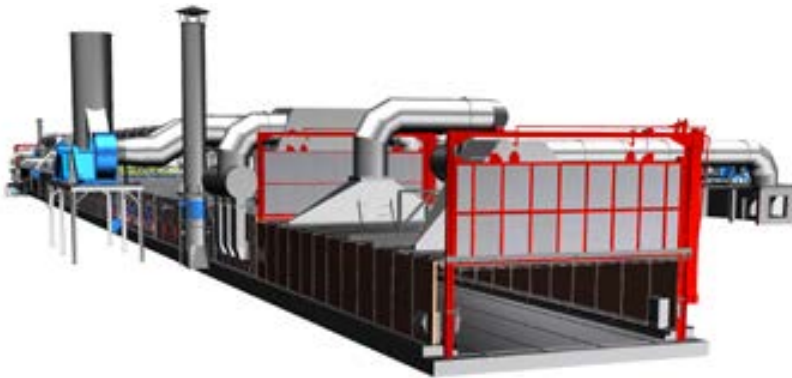


CLEIA
Engineering Innovation Automation

TUNNEL KILN TECHNOFAST / TRADIFAST

FIRING PROCESS

SUSTAINABLE DESIGN



Technofast kiln is designed with an external supporting steel structure independent from the air **tight vapor fence** itself.

This fully welded metal sheet is properly maintained at high temperature allowing a positive pressure inside the kiln.

RCS DUJON 518 290 853 - Technofast EN - 04/2018

PERFECT FIRING CONTROL

Perfect firing control: **Technofast / Tradifast** tunnel kiln is suitable for all type of firing conditions, both at low and high firing temperature, either under oxidizing or reducing atmosphere.

BENEFITS

- Proven design
- Ability to manufacture the steel frame locally
- No double roof
- Refractory pieces interlocked together for a better roof stability
- Possibility of a reinforced thermal insulation
- Firing process and consumption under control
- Possible use of recycled materials

